

13.1 B5 Structure

Variants

There are three variants of the B5. There will be no freely configurable one (7150.00)



Standard 7150.10
SCM B5 ORB430



AntiBac 7150.20
SCM B5 ORB 430 Antibac



Minuteman 7150.50
MM SCM B5 ORB430

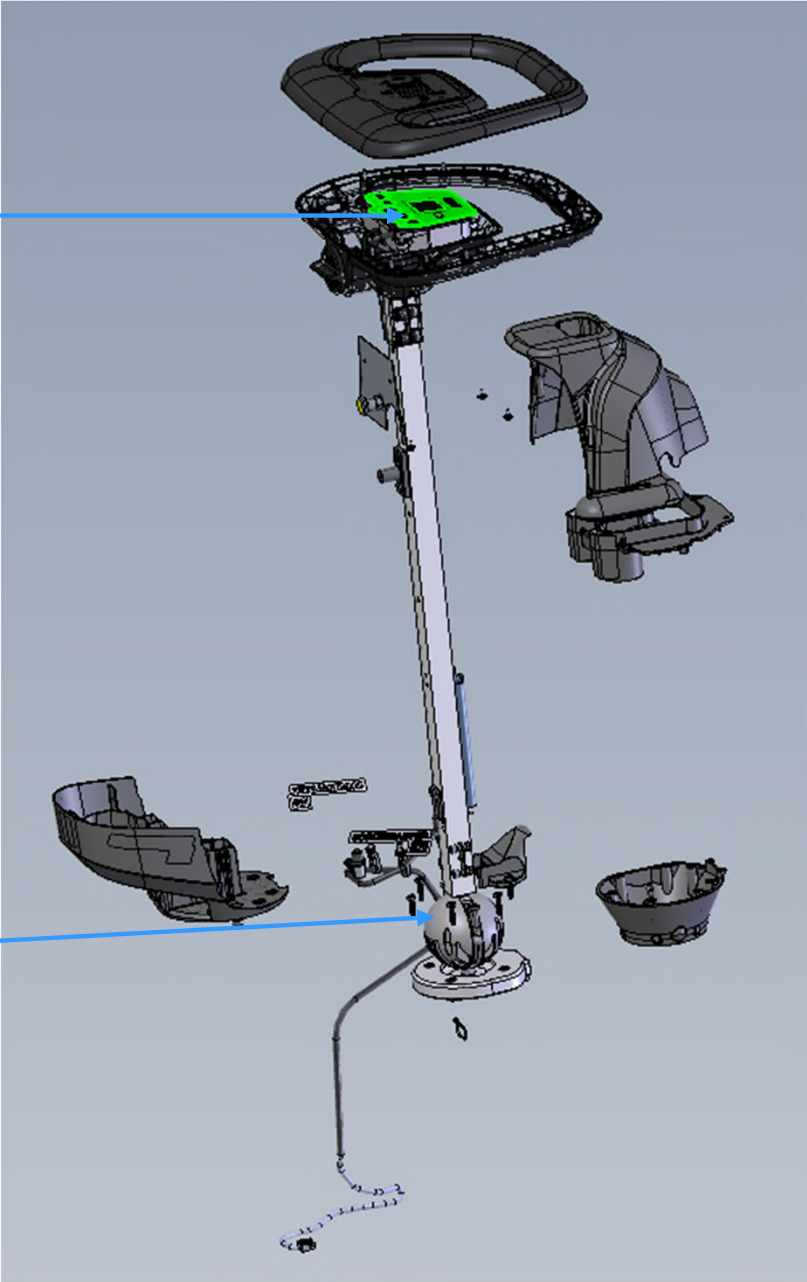
B5



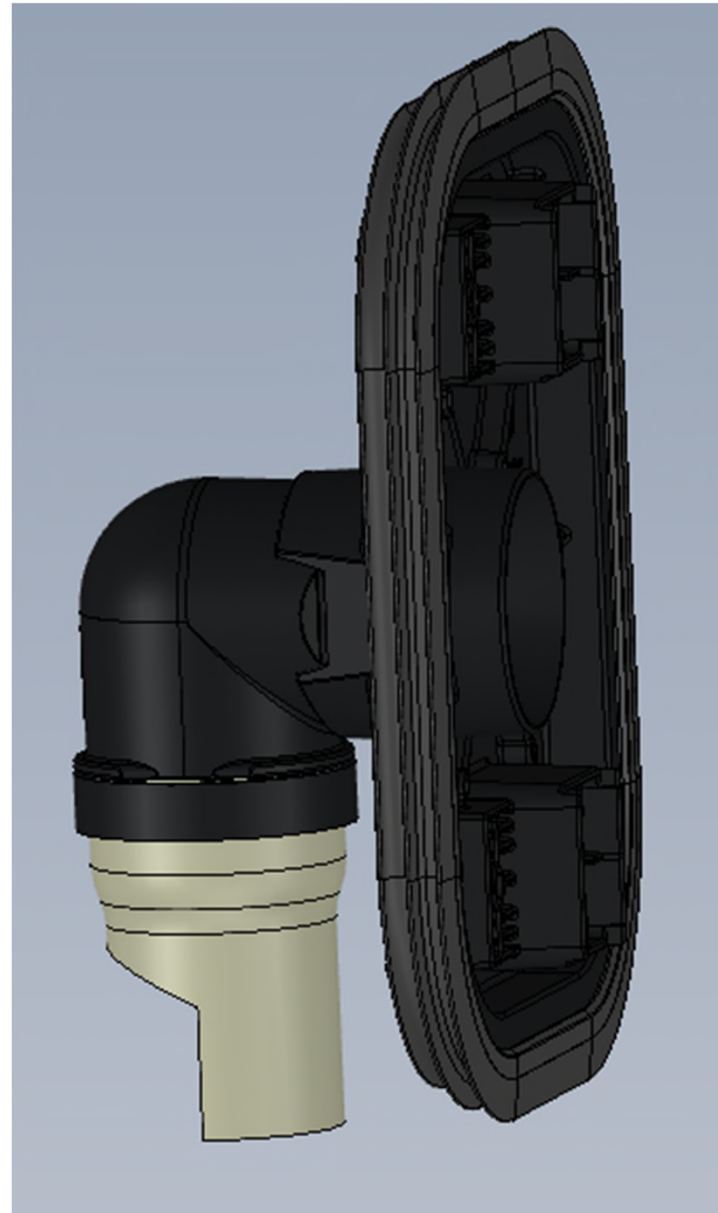
Beam pipe

Control element

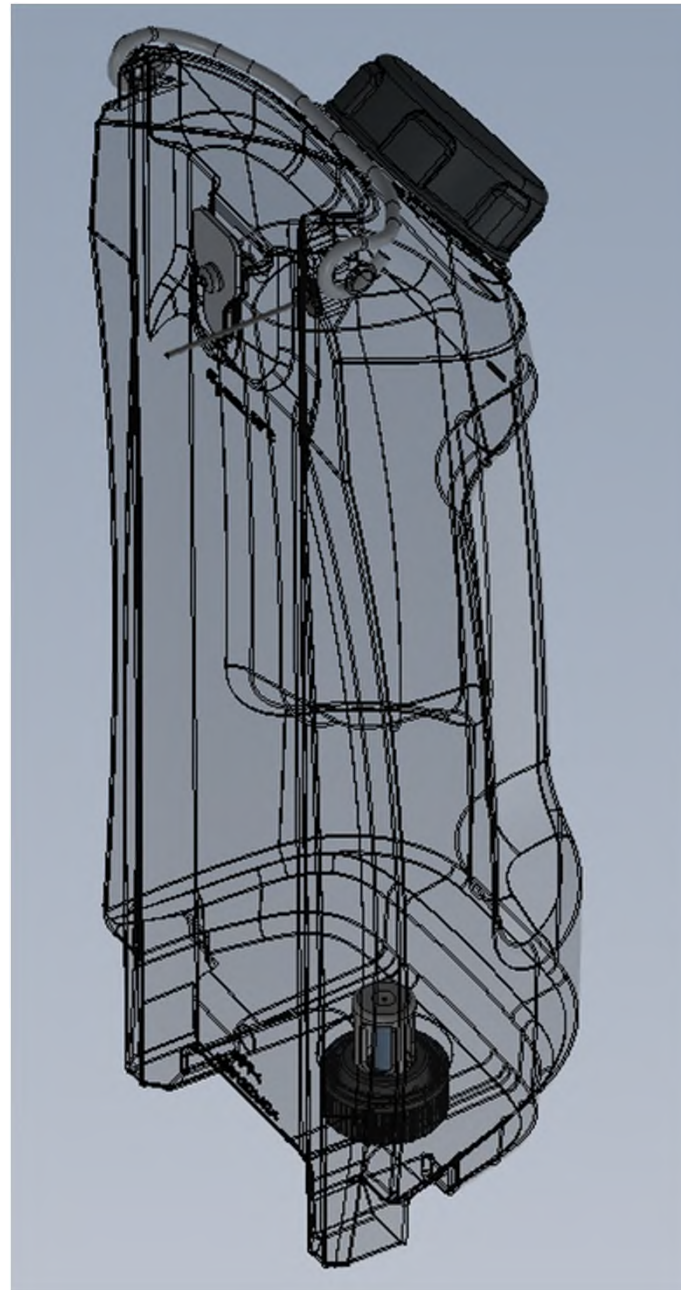
Spherical joint



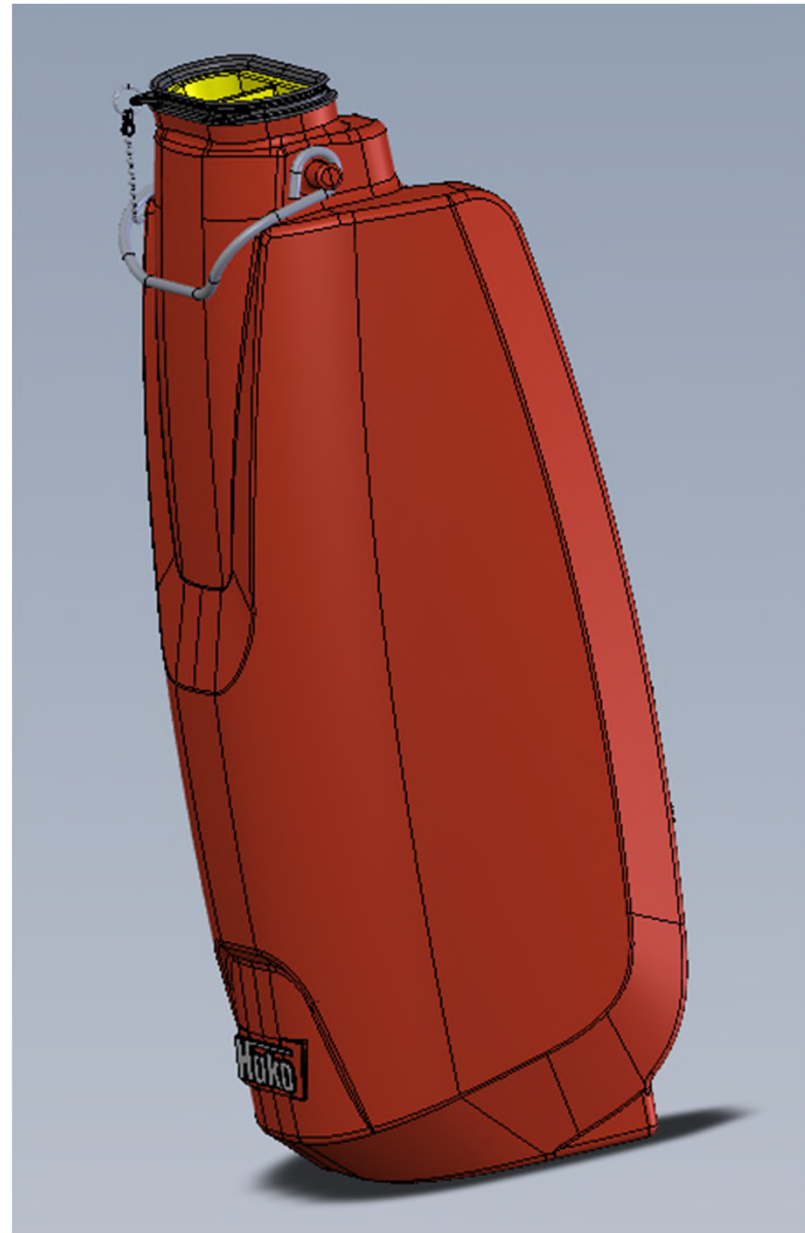
Waste water inlet



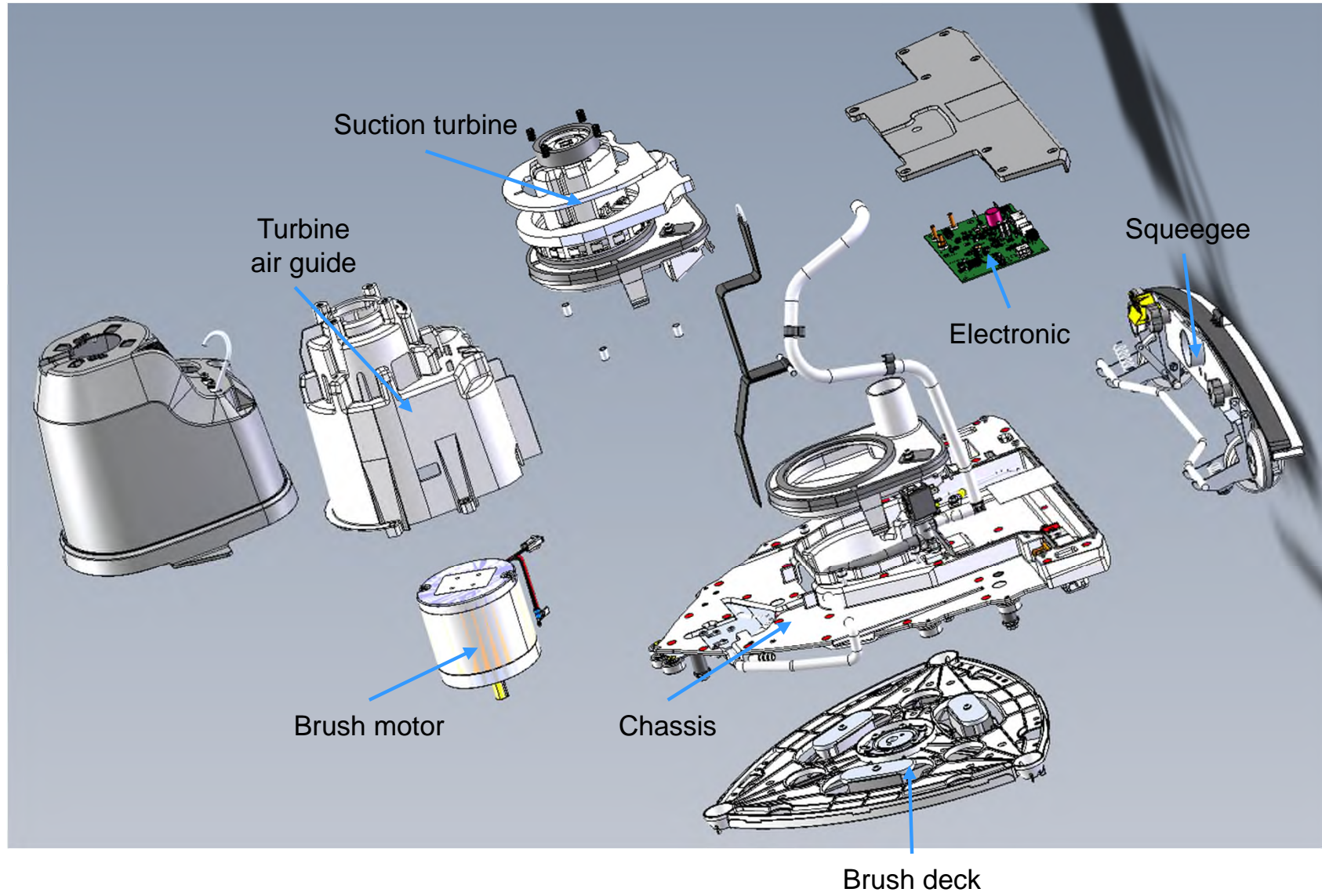
Solution tank



Waste water tank



Cleaning tool



Li-Ion battery

